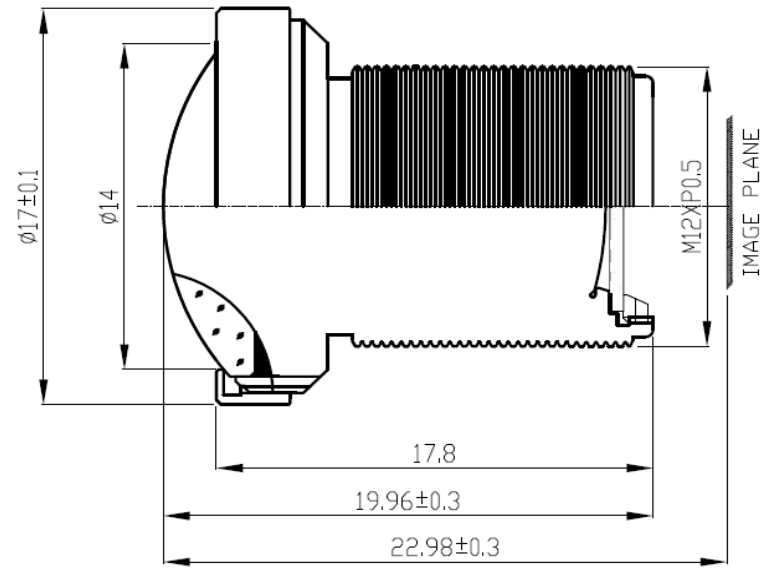


SPECIFICATION

IMAGE FORMAT	1/2.56"
FOCAL LENGTH	2.4mm
F.O.V. (@OV10640)	171° (D)
	131°(H)
	111°(V)
RESOLUTION	5 MP
DISTORTION	<-89%
APERTURE	F2.4±5%
MOUNT	M12x0.5
IRIS	Fixed
M.O.D.	0.2m
T.T.L.	22.98mm
DIMENSION	Φ17x19.96mm
LENS COMPONENT	7G



SCALE	3:1	DRAWN		MODEL	CCL1256024MP	REV		DESCRIPTION		DATE		NAME	
DATE		CHECK		 香港致远电子集团有限公司 HONGKONG TOWIN ELECTRONICS CO.,LTD.	①								
UNIT	mm	APPROVE			②								
					③								