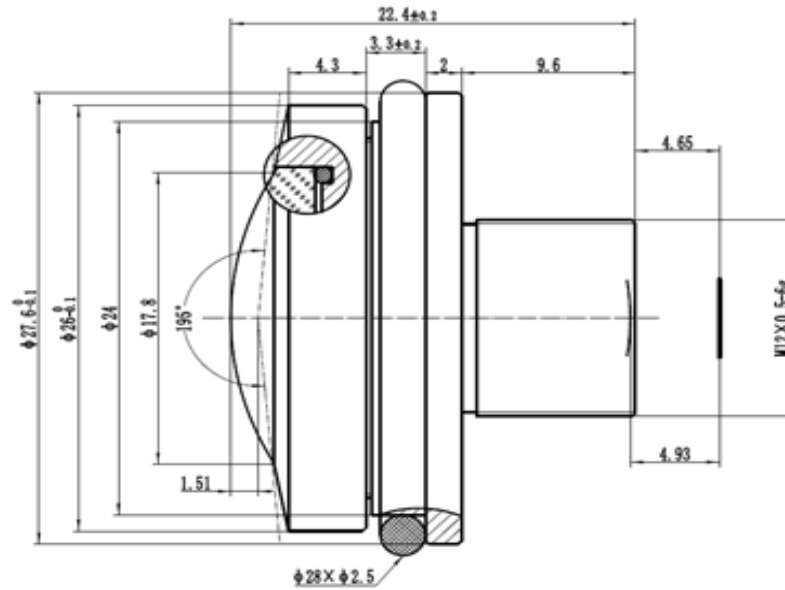


SPECIFICATION

IMAGE FORMAT	Φ4.7mm(1/2.3")
FOCAL LENGTH	1.6mm
F.O.V.	195°(D)
	195°(H)
	195°(V)
RESOLUTION	12 MP
DISTORTION	-98%
APERTURE	F2.0
MOUNT	M12x0.5
IRIS	Fixed
M.O.D.	0.3m
T.T.L.	27.05mm
IR	Corrected



SCALE	2:1	DRAWN		MODEL	CCL123016MP	REV	DESCRIPTION	DATE	NAME
DATE		CHECK		 香港致远电子集团有限公司 HONGKONG TOWIN ELECTRONICS CO.,LTD.	①				
UNIT	mm	APPROVE			②				
					③				