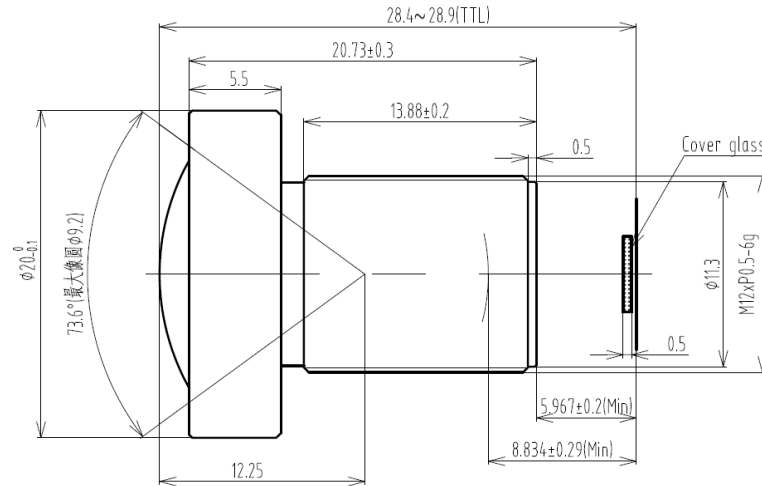


# SPECIFICATION

IMAGE FORMAT	1/1.8"
FOCAL LENGTH	6mm
F.O.V.	72°(D)
	61°(H)
	47°(V)
RESOLUTION	5 MP
TV DISTORTION	<0.5%
APERTURE	F2.8
MOUNT	M12x0.5
IRIS	Fixed
M.O.D.	0.1m
T.T.L.	28.6mm
CONSTRUCTION	7G



SCALE		DRAWN		MODEL	<b>S06011806128</b>	REV	DESCRIPTION	DATE	NAME	
DATE		CHECK		 香港致远电子集团有限公司 HONGKONG TOWIN ELECTRONICS CO.,LTD.			①			
UNIT	mm	APPROVE					②			
							③			