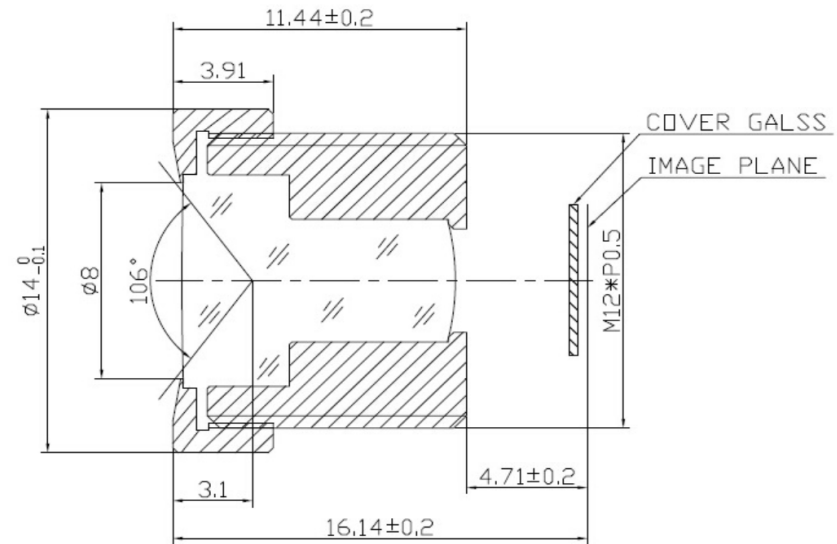


SPECIFICATION

IMAGE FORMAT	1/4"
FOCAL LENGTH	2.8mm
F.O.V.	106°(D)
	86°(H)
	52° (V)
RESOLUTION	2MP
APERTURE	F2.8
MOUNT	M12X0.5
IRIS	Fixed
FOCUS	Manual
ZOOM	Fixed
B.F.L.	5.14mm
STRUCTURE	5G



SCALE		DRAWN		MODEL	S02814008628	REV	DESCRIPTION	DATE	NAME
DATE		CHECK		 香港致远电子集团有限公司 HONGKONG TOWIN ELECTRONICS CO.,LTD.		①			
UNIT	mm	APPROVE				②			
						③			