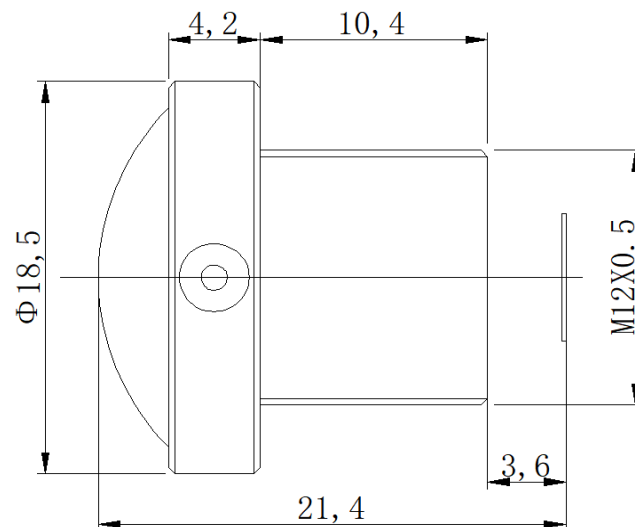


SPECIFICATION

IMAGE FORMAT	Φ6.3mm
FOCAL LENGTH	2.0mm
F.O.V.@Φ6.0	190°
F.O.V.@Φ4.6	140°
F.O.V.@Φ3.38	103°
RESOLUTION	10 MP
F-THETA DIS.	-4.9%
APERTURE	F2.5
MOUNT	M12x0.5
IRIS	Fixed
M.O.D.	0.1m
B.F.L.	4.35mm
CONSTRUCTION	7G+IR cut



SCALE	2:1	DRAWN		MODEL	CCL23020MPF	REV	DESCRIPTION	DATE	NAME
DATE		CHECK		 香港致远电子集团有限公司 HONGKONG TOWIN ELECTRONICS CO.,LTD.	①				
UNIT	mm	APPROVE			②				
					③				