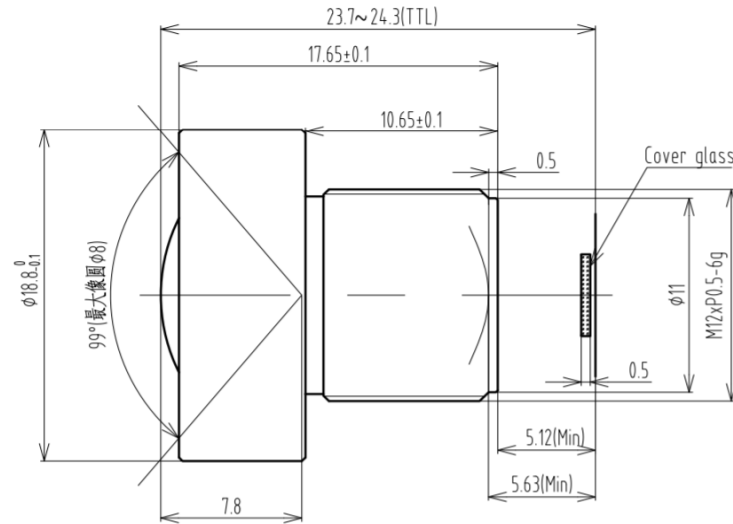


# SPECIFICATION

IMAGE FORMAT	1/2"
FOCAL LENGTH	3.4mm
F.O.V.	100°(D)
	86°(H)
	70°(V)
RESOLUTION	12.4 MP
TV DISTORTION	<1%
APERTURE	F2.8
MOUNT	M12x0.5
IRIS	Fixed
M.O.D.	0.1m
T.T.L.	24mm
CONSTRUCTION	8G



SCALE		DRAWN		MODEL	<b>CCL123034MPR2</b>	REV	DESCRIPTION	DATE	NAME
DATE		CHECK		 香港致远电子集团有限公司 HONGKONG TOWIN ELECTRONICS CO.,LTD.		①			
UNIT	mm	APPROVE				②			
						③			