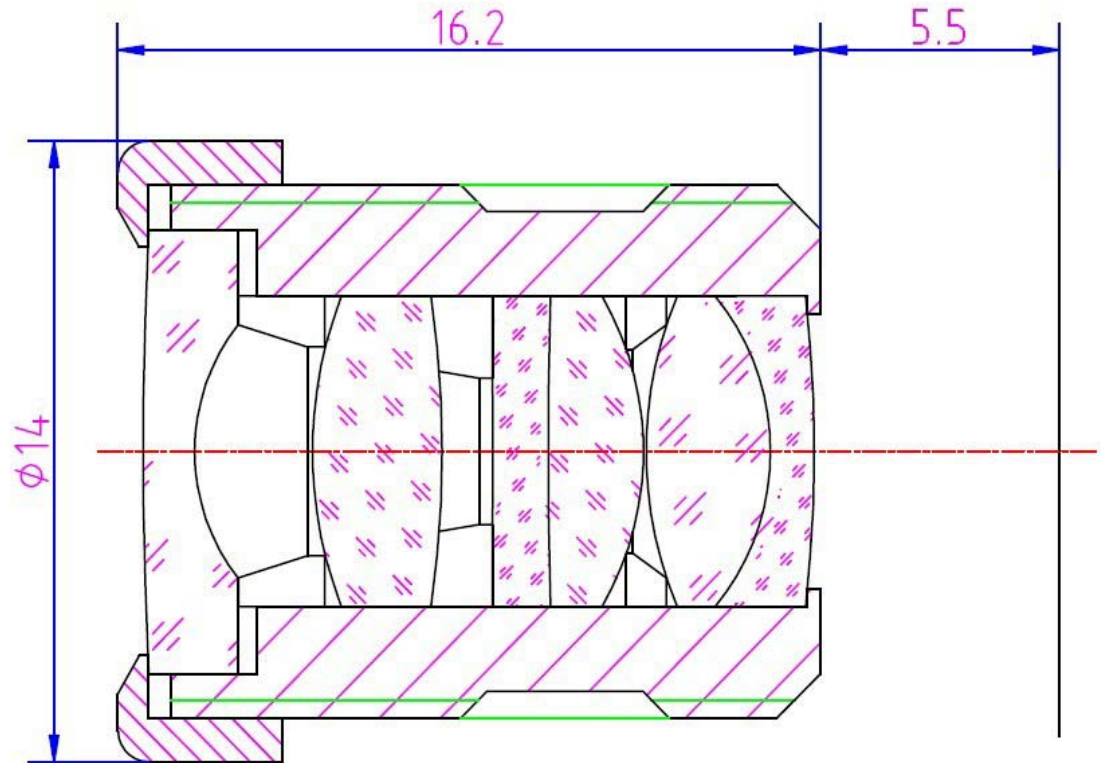


SPECIFICATION

IMAGE FORMAT	1/2.5"
FOCAL LENGTH(mm)	3.7
F.O.V.	102°(D)
	80°(H)
	58°(V)
RESOLUTION	3 MP
DISTORTION	<50%
APERTURE	1.8
MOUNT(mm)	M12x0.5
IRIS	Fixed
M.O.D.(m)	0.3
T.T.L.(mm)	21.7
DIMENSION(mm)	Φ14x16.2
LENS COMPONENT	6G+IR



SCALE	5:1	DRAWN		MODEL	CCL125037MPF	REV	DESCRIPTION	DATE	NAME
DATE		CHECK		 香港致远电子集团有限公司 HONGKONG TOWIN ELECTRONICS CO.,LTD.	①				
UNIT	mm	APPROVE			②				
					③				