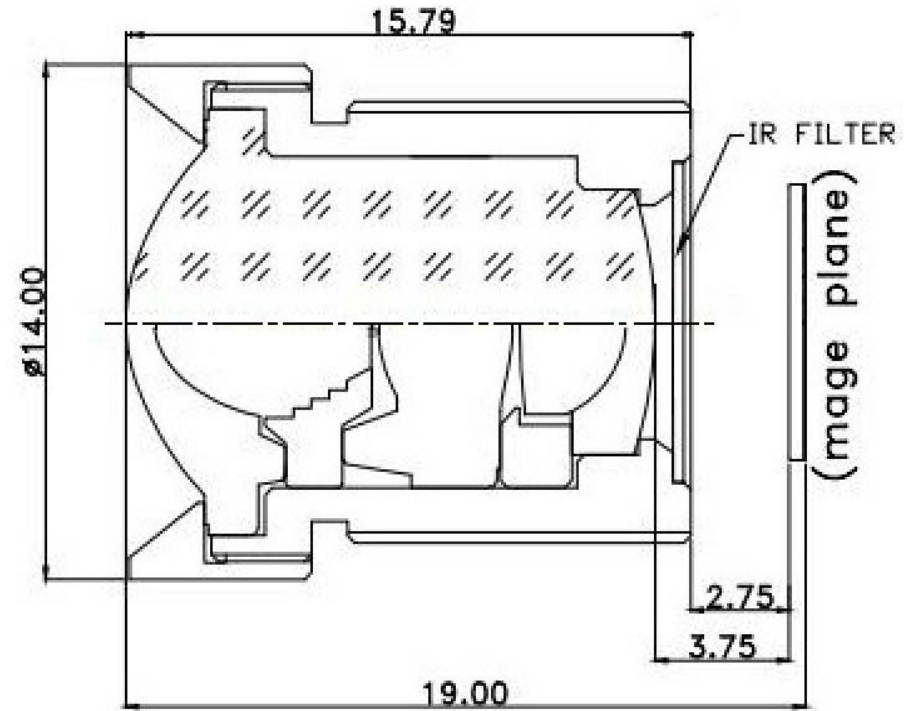


# SPECIFICATION

IMAGE FORMAT	1/2.5"
FOCAL LENGTH(mm)	3.5
F.O.V.	90°(D)
	80°(H)
	65°(V)
RESOLUTION	5 MP
DISTORTION	<1%
APERTURE	2.8
MOUNT(mm)	M12x0.5
IRIS	Fixed
M.O.D.(mm)	0.1
T.T.L.(mm)	19
DIMENSION(mm)	Φ14x15.79
LENS COMPONENT	2G+2P+IR



SCALE	4:1	DRAWN		MODEL	CCL125035MPF	REV	DESCRIPTION	DATE	NAME
DATE		CHECK		 香港致远电子集团有限公司 HONGKONG TOWIN ELECTRONICS CO.,LTD.	①				
UNIT	mm	APPROVE			②				
					③				