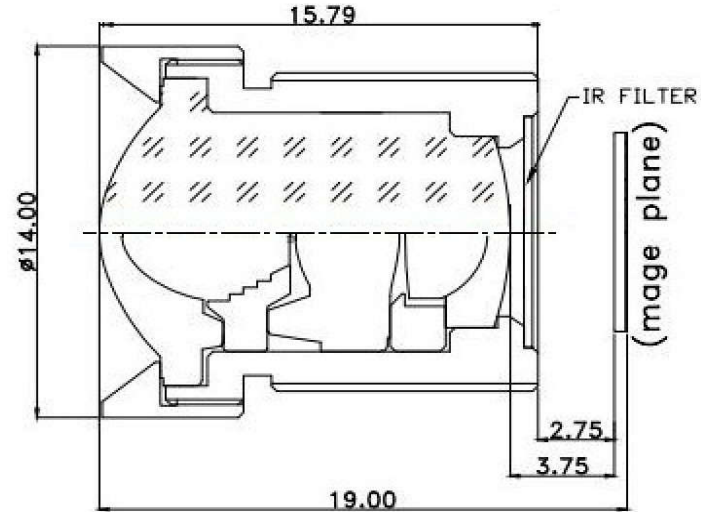


SPECIFICATION

IMAGE FORMAT	1/2.5"
FOCAL LENGTH	3.5mm
F.O.V.	90°(D)
	80°(H)
	65°(V)
RESOLUTION	5 MP
DISTORTION	<-0.4%
APERTURE	F2.8
MOUNT	M12x0.5
IRIS	Fixed
M.O.D.	0.1m
T.T.L.	19mm
DIMENSION	Φ14x15.79mm
CONSTRUCTIONS	2G2P+IR cut



SCALE	4:1	DRAWN		MODEL	CCL125035MPF	REV	DESCRIPTION	DATE	NAME
DATE		CHECK		 香港致远电子集团有限公司 HONGKONG TOWIN ELECTRONICS CO.,LTD.	①				
UNIT	mm	APPROVE			②				
					③				