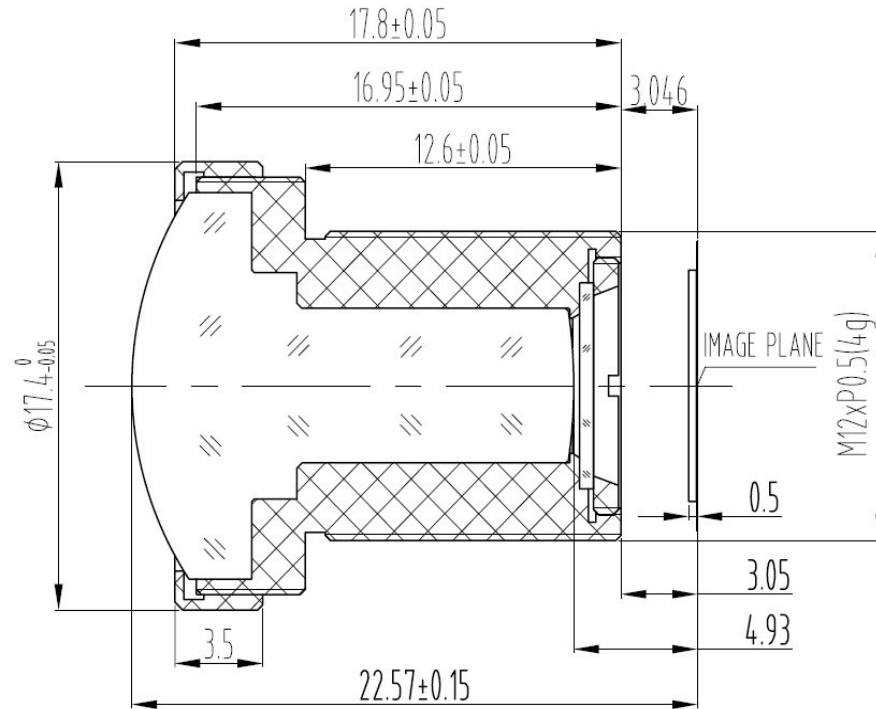


SPECIFICATION

IMAGE FORMAT	1/2.5"
FOCAL LENGTH(mm)	2.55
F.O.V.	170°(D)
	130°(H)
	98°(V)
RESOLUTION	5 MP
DISTORTION	<89%
APERTURE	2.8±5%
MOUNT(mm)	M12x0.5
IRIS	Fixed
M.O.D.(mm)	0.1
T.T.L.(mm)	22.57
DIMENSION(mm)	Φ17.4x19.07
LENS COMPONENT	6G+1IR



SCALE	5:1	DRAWN		MODEL	CCL1250255MPF	REV	DESCRIPTION	DATE	NAME
DATE		CHECK		 香港致远电子集团有限公司 HONGKONG TOWIN ELECTRONICS CO.,LTD.		①			
UNIT	mm	APPROVE				②			
						③			