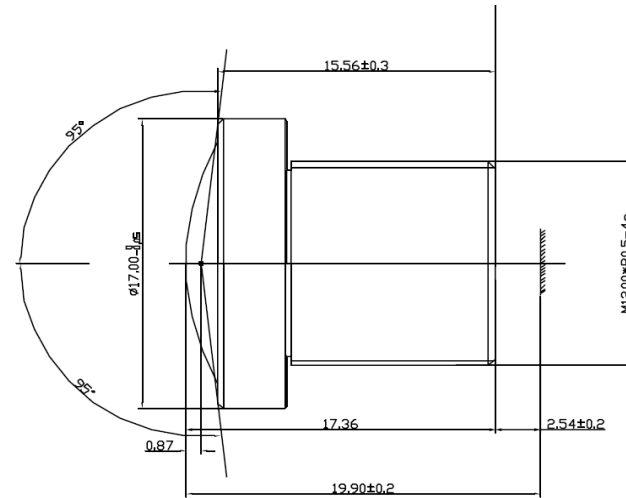


SPECIFICATION

IMAGE FORMAT	Φ4.6mm
FOCAL LENGTH	1.7mm
F.O.V.	190°(D)
	190°(H)
	190°(V)
RESOLUTION	16Megapixel
OPTICAL DISTORTION	<-101%
APERTURE	F2.4
MOUNT	M12x0.5
IRIS	Fixed
M.O.D.	0.1m
T.T.L.	19.90mm
B.F.L.	4mm
COMPONENT	7G+IRF



SCALE	2:1	DRAWN	MODEL	CCL12301724MPF	REV	DESCRIPTION	DATE	NAME
DATE		CHECK	 香港致远电子集团有限公司 HONGKONG TOWIN ELECTRONICS CO.,LTD.		①			
UNIT	mm	APPROVE			②			
					③			