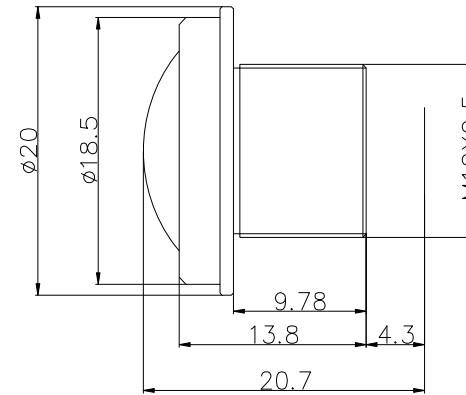


SPECIFICATION

IMAGE FORMAT(mm)	Φ4.7
FOCAL LENGTH(mm)	1.6
F.O.V.	185°(D)
	185°(H)
	185°(V)
RESOLUTION	5 MP
DISTORTION	100%
APERTURE	2.0
MOUNT(mm)	M12x0.5
IRIS	Fixed
M.O.D.(m)	0.3
T.T.L.(mm)	20.7
DIMENSION(mm)	Φ20x16.4
WEIGHT(g)	25



SCALE	2:1	DRAWN		MODEL	CCL12016MP	REV	DESCRIPTION	DATE	NAME
DATE		CHECK		 香港致远电子集团有限公司 HONGKONG TOWIN ELECTRONICS CO.,LTD.		①			
UNIT	mm	APPROVE				②			
						③			