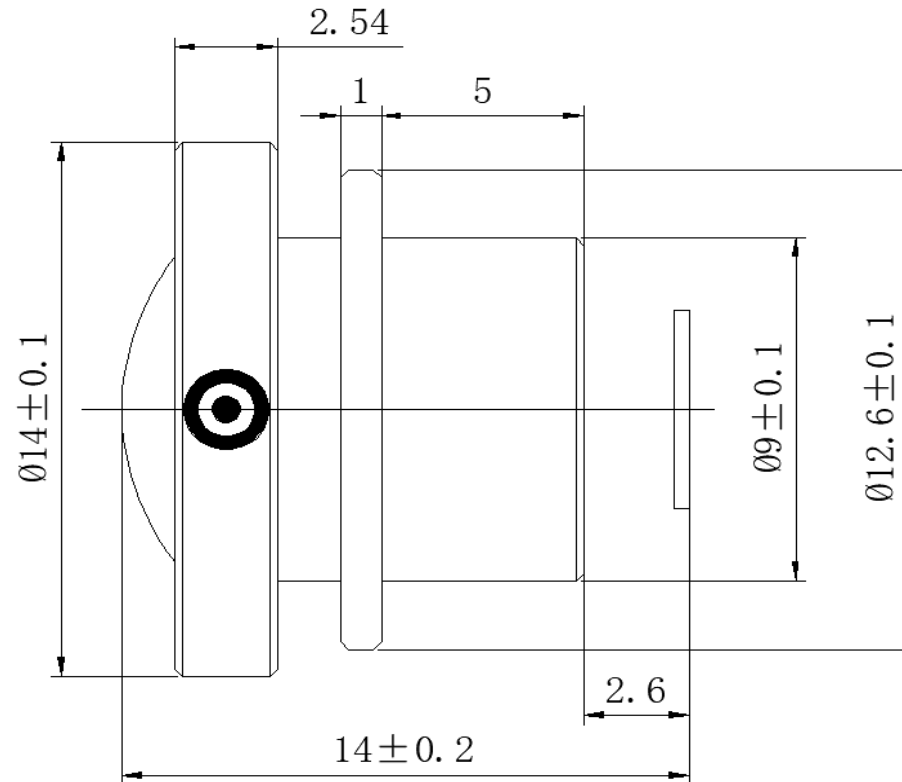


SPECIFICATION

IMAGE SIZE	Max $\Phi 5.19$, 1/2.9"
FOCAL LENGTH	1.9mm
FOV (AR0830)	200°(D=6.17)
	200°(H=5.38)
	100°(V=3.02)
RESOLUTION	8 MegaPixel
F- θ DISTORTION	<-19%
APERTURE	F2.0
MOUNT	A-A
IRIS	Fixed
FOCUS	Manual
ZOOM	Fixed
T.T.L.	14mm
CONSTRUCTION	6G+IRCF
WATERPROOF	IP69K



SCALE		DRAWN		MODEL	A5120020F69	REV	DESCRIPTION	DATE	NAME
DATE		CHECK		Xiamen Towin Optics Co., Ltd.		①			
UNIT	mm	APPROVE		TOWIN		②			
www.TowinLens.com						③			