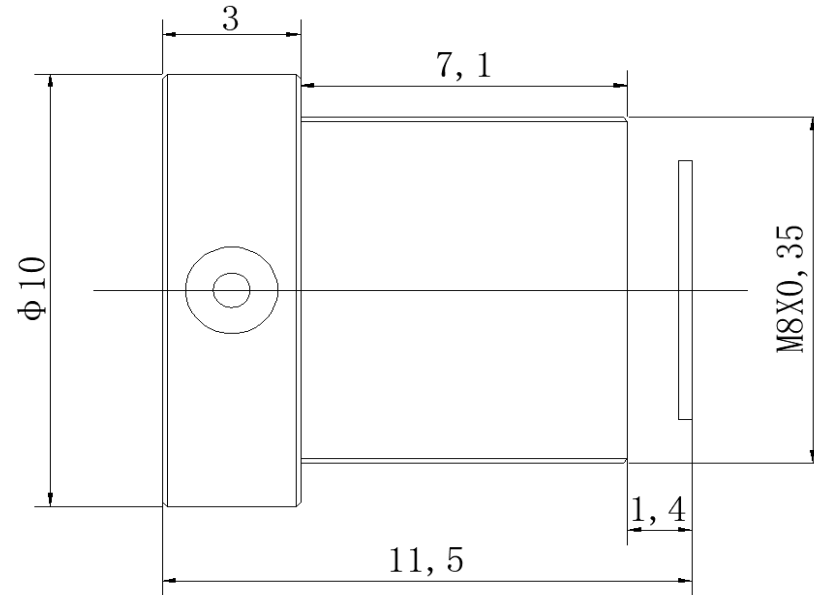


SPECIFICATION

IMAGE FORMAT	1/2.7"
FOCAL LENGTH	2.7mm
F.O.V.	160°(D=6.67)
	125°(H=5.76)
	67°(V=3.24)
RESOLUTION	2 MP
TV DISTORTION	<-18%
APERTURE	F2.6
MOUNT	M8X0.35
C.R.A.	<29°
R.I.	>51%
M.O.D.	0.1m
B.F.L.	2.6mm
TTL	11.40mm
STRUCTURE	2G3P+IRCF



SCALE		DRAWN		MODEL	M802712712526F	REV	DESCRIPTION	DATE	NAME
DATE		CHECK		 香港致远电子集团有限公司 HONGKONG TOWIN ELECTRONICS CO.,LTD.		①			
UNIT	mm	APPROVE				②			
						③			