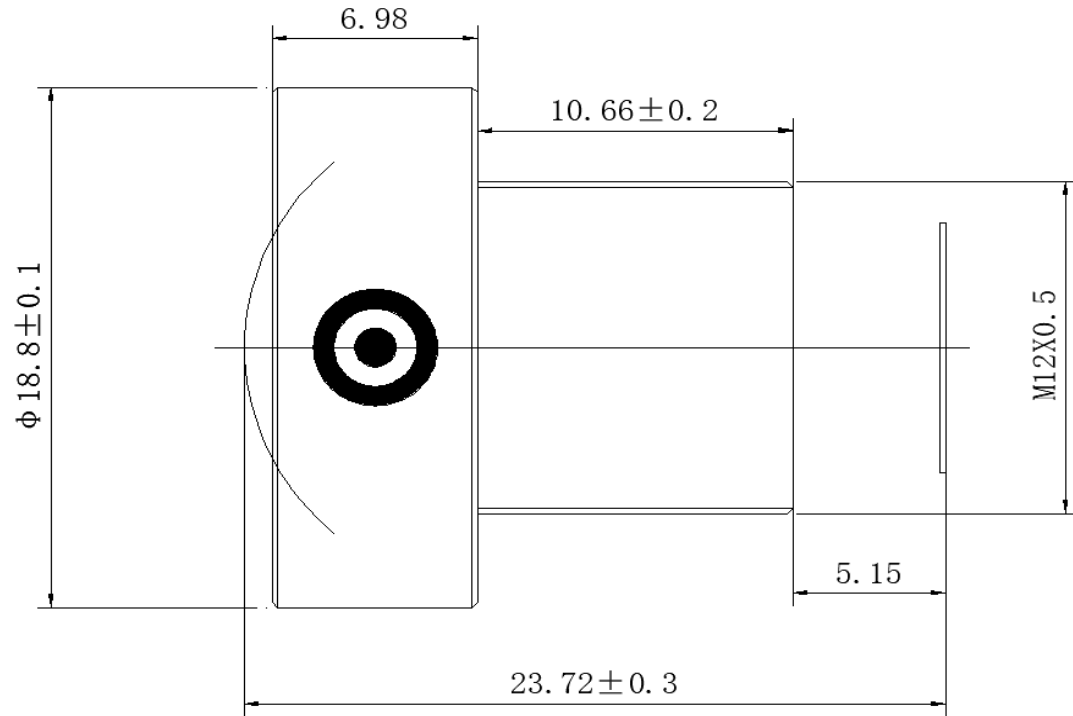


SPECIFICATION

IMAGE FORMAT	Max $\Phi 9.0\text{mm}$
FOCAL LENGTH	3.4mm
F.O.V. (1/1.8")	112°(D=9.0)
	95°(H=7.2)
	80°(V=5.4)
F.O.V. (1/2.3")	99°(D=7.8)
	85°(H=6.2)
	69°(V=4.6)
TV DISTORTION	<1%
RESOLUTION	8 MP
APERTURE	F2.8
MOUNT	M12x0.5
M.O.D.	0.1m
T.T.L.	23.72mm
STRUCTURE	Without IRCF



SCALE	DRAWN	MODEL	REV	DESCRIPTION	DATE	NAME
		S03411809528	①			
		Xiamen Towin Optics Co., Ltd.	②			
			③			