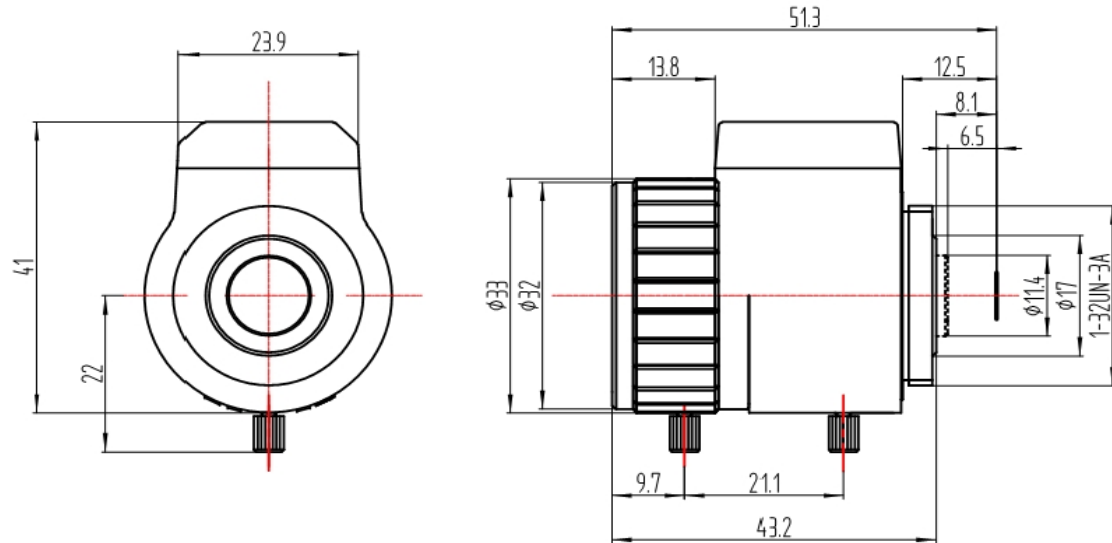


SPECIFICATION

| | |
|--------------|-------------|
| IMAGE FORMAT | 1/2.7" |
| FOCAL LENGTH | 2.8-12mm |
| H F.O.V. | 109°~31° |
| RESOLUTION | 3 Megapixel |
| APERTURE | F1.4 |
| MOUNT | CS |
| IRIS | DC Auto |
| FOCUS | Manual |
| ZOOM | Manual |
| M.O.D. | 0.3m |
| IR | Corrected |



| SCALE | | DRAWN | | MODEL | CCL1272812AMPR | REV | DESCRIPTION | DATE | NAME |
|-------|----|---------|--|--|-----------------------|-----|-------------|------|------|
| DATE | | CHECK | |  香港致远电子集团有限公司 HONGKONG TOWIN ELECTRONICS CO.,LTD. | | ① | | | |
| UNIT | mm | APPROVE | | | | ② | | | |
| | | | | | | ③ | | | |